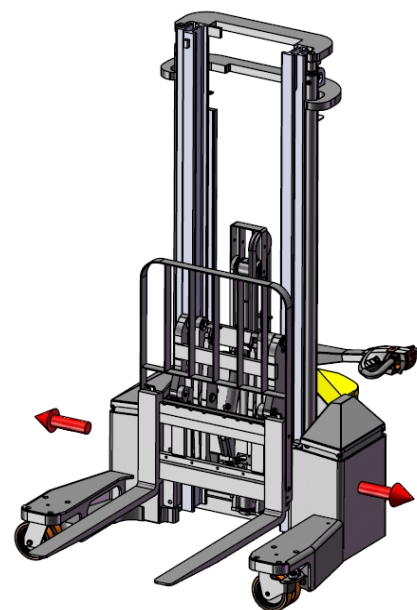
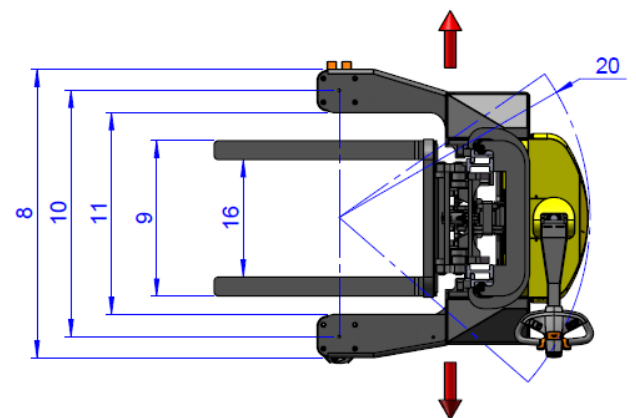
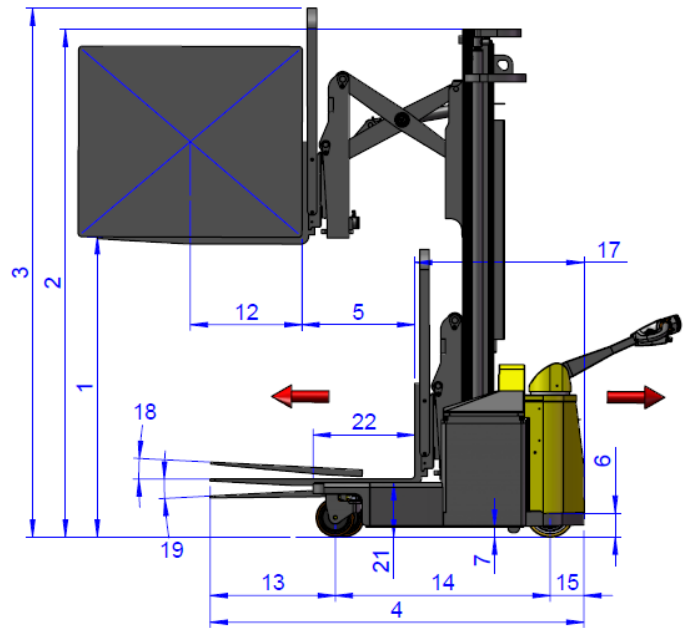


COMBILIFT – COMBI WR4 2000 - SPECIFICATION

Ref.	Description	Standard
1a	Max. Lift Height	4200mm
1b	Freelift Height	1500mm
2	Height Mast Closed	2700mm
3	Max. (Mast raised)	5350mm
4	Overall Length	2125mm
5	Fork Travel	515mm
6	Ground Clearance Under Mast	80mm
7	Ground Clearance to Centre of Wheelbase	50mm
8	Width	1512mm
9	Outside Spread of Fork Arms	815mm
10	Track Front	1292mm
11	Frame Opening	1058mm
12	Load Centre Distance	600mm
13	Overhang Front	615mm
14	Wheelbase	1220mm
15	Overhang Back	175mm
16	Fork Side Shift	80mm Left/ 80mm Right
17	Length From Face of Fork	1055mm
18	Fork Backward Tilt	3°
19	Fork Forward Tilt	3°
20	Minimum Outside Radius	1450mm
21	Platform Height	282mm
22	Platform Length	455mm
A	Capacity	2000kg to 2500mm High
B	Unladen Weight	3050kg
C	Maximum Ground Speed	6km/h
D	Gradability	5%
E	Battery Capacity	24V / 420 Ah
F	Fork Section	40mm x 100mm x 1070mm
G	Front Tyre x 4 (Polyurethane)	OD 200mm / Width 50mm
H	Rear Tyre (Vulkollan)	OD 250mm / Width 75mm
I	Standard Colour	Yellow & Grey
J	AC Electric Traction Motor	24V / 2.5kW
K	AC Electric Pump Motor	24V / 5kW

Features Include

- Pantograph
- Power Steering
- AC Motor Technology
- Multi-Directional
- 1000mm High Load Back Rest
- Rear Wheel Drive
- 80/80mm Side Shift
- International Application PCT/EP2012/067238 Multi Position Tiller



Revision Date: 20/08/2019

COMBILIFT
LIFTING INNOVATION

COMBILIFT
Co. Monaghan.
Ireland
Tel. +353 47 80500